

TRINITY ENERGY SYSTEMS PVT. LTD.

386, Savli – GIDC Estate, Manjusar – 391775, Dist. VADODARA
Gujarat, INDIA. Telephone No. +91 – 9228004452/53/54
Email: info@trinityenergy.co.in, Web: www.trinityenergy.co.in



We practice to maintain an effective Price, Quality, Reliability and Service through Quality Management System which are simultaneously striving for continual improvement in all processes.

We enclose, herewith, product brochures.

CURRENT TRANSFORMER



5A/1A METERING CURRENT TRANSFORMER - RESIN CAST					
RATIO (Amps)	BURDEN (VA)	ACURRACY CLASS	ID (Min.) (mm)	OD (Max) (mm)	H (Max) (mm)
50/5	3	5	20	80*80	55
60/5	5	5	20	80*80	55
75/5	5	3	20	80*80	55
100/5	5	1	30	80*80	55
150/5	5	1	30	80*80	55
200/5	10	1	30	80*80	50
250/5	15	1	35	90*90	50
300/5	15	1	45	90*90	50
400/5	15	1	55	100*100	50
600/5	15	1	65	110*110	50
800/5	15	1	105*40	155*100	45
1200/5	15	1	105*40	155*100	45
1600/5	15	1	160*65	220*125	45
2000/5	15	1	160*65	220*125	45
2500/5	15	1	160*65	220*125	45
3000/5	15	1	160*65	220*125	45
4000/5	15	1	160*90	220*140	45
5000/5	15	1	160*90	220*140	45
600/5	15	1	210*100	280*160	45

VOLTAGE : 0.66/3KV	INSULATION CLASS : E
FREQ : 50Hz	STANDARD : IS:2705 - 1992
ISF : < 5	

For ratios lower then 100/5A & better accuracy select ration from table as per below

Required Ration	Select Ratio	Turn Through Centre
50/5A	100/5A	2
40/5A	120/5A	3
30/5A	120/5A	4
25/5A	100/5A	4
20/5A	100/5A	5

- Notes :**
1. Other dimensions or specifications available on request.
 2. For CTs low ration and high accuracy or high burden, select wound primary type CT or select economic solution from the above table.
 3. CTs available in standard secondary rating secondary rating of 5A, 1A.
 4. Higher ratio upto 10,000/5A, 1A is also available.
 5. Class accuracy upto 0.5/0.5S is also available.

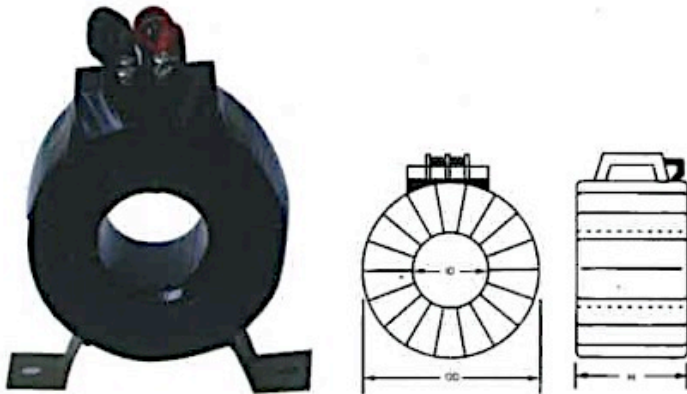


TRINITY ENERGY SYSTEMS PVT. LTD.

386, Savli – GIDC Estate, Manjusar – 391775, Dist. VADODARA
Gujarat, INDIA. Telephone No. +91 – 9228004452/53/54
Email: info@trinityenergy.co.in, Web: www.trinityenergy.co.in



Bar Primary Low Tension Tap Insulated Current Transformer Type BPL



5 or 1A METERING CURRENT TRANSFORMER Tape Insulated

RATIO (Amps)	BURDEN (VA)	ACCURACY CLASS	ID (Min.) (mm)	OD (Max) (mm)
50/5	3	5	30	80
60/5	5	5	30	80
75/5	5	3	30	80
100/5	5	1	30	80
150/5	5	1	30	80
200/5	10	1	35	80
250/5	15	1	35	90
300/5	15	1	45	90
400/5	15	1	55	90
600/5	15	1	65	115
800/5	15	1	85	115
1000/5	15	1	115	145
1200/5	15	1	115	145

Notes :

1. Other dimensions or specifications available on request.
2. For CTs low ratio and high accuracy or high burden, select wound primary type CT or select economic solution from the table.
3. CTs available in standard secondary rating secondary rating of 5A, 1A.
4. Higher ratio upto 10,000/5A, 1A is also available.
5. Class accuracy upto 0.5/0.5S is also available.

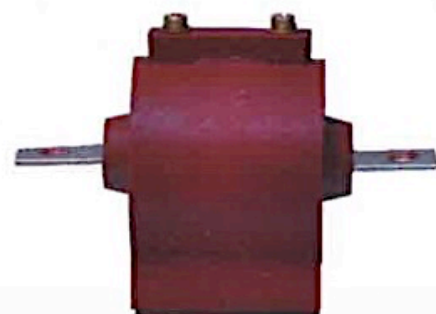
VOLTAGE : 0.66/3KV	INSULATION CLASS : E
FREQ : 50Hz	STANDARD : IS:2705 - 1992
ISF : < 5	

For ratios lower than 100/5A & better accuracy select ration from table as per below

Required Ration	Select Ratio	Turn Through Centre
50/5A	100/5A	2
40/5A	120/5A	3
30/5A	120/5A	4
25/5A	100/5A	4
20/5A	100/5A	5

Wound primary low tension current transformer

- C.T. available in standard secondary rating 5A / 1A.
- Accuracy class 1.0, 0.5, 0.5s.
- C.T. available in busbar type also.
- Confirming IS : 2705/1992
- Other query on request.



TRINITY ENERGY SYSTEMS PVT. LTD.

386, Savli – GIDC Estate, Manjusar – 391775, Dist. VADODARA
Gujarat, INDIA. Telephone No. +91 – 9228004452/53/54
Email: info@trinityenergy.co.in, Web: www.trinityenergy.co.in



TAPE WOUND RING & RECTANGULAR BAR PRIMARY (BPL) LT CTs							
S. No.	Primary Current (AMP.)	Type	I.D. (mm)	List Price in (₹)			
				ACC.CL. 1.0			
				5 VA	10 VA	15 VA	15VA/5P10
1	50	Ring	25	400	-	-	-
2	60	Ring	25	400	-	-	-
3	75	Ring	25	400	-	-	-
4	100	Ring	30	400	576	-	-
5	150	Ring	30	360	470	-	-
6	200	Ring	35	325	360	540	2300
7	250	Ring	45	325	360	540	2250
8	300	Ring	55	325	360	540	2250
9	400	Ring	55	325	360	480	1840
10	500	Ring	55	325	360	480	1750
11	600	Ring	55	325	360	480	1840
12	800	Ring	70	360	400	470	1800
13	800	Rectangular	105*25	-	540	610	1800
14	1000	Rectangular	105*25	-	540	610	1800
15	1200	Rectangular	105*40	-	540	610	1750
16	1500	Rectangular	105*40	-	570	570	1750
17	1600	Rectangular	105*40	-	600	600	1750
18	2000	Rectangular	155*50	-	-	680	1890
19	2500	Rectangular	155*50	-	-	700	2160
20	3000	Rectangular	155*80	-	-	860	2250
21	3200	Rectangular	155*80	-	-	945	2250
22	4000	Rectangular	155*80	-	-	1035	2970

STEP DOWN CONTROL TRANSFORMERS							
S. No.	Rating (VA)	List Price in (₹)		S.No.	Rating (VA)	List Price in (₹)	
		Tape Wound	Resin Cast			Tape Wound	Resin Cast
1	50	1250	1850	10	1000	6500	7000
2	100	2400	3200	11	1250	6700	8000
3	150	2500	3400	12	1500	7900	9400
4	200	2700	3700	13	2000	9800	11600
5	250	2960	3800	14	2500	11900	14200
6	300	3300	4000	15	5000	27000	29000
7	400	4100	5100	16	10000	34500	43500

TRINITY ENERGY SYSTEMS PVT. LTD.

386, Savli – GIDC Estate, Manjusar – 391775, Dist. VADODARA
Gujarat, INDIA. Telephone No. +91 – 9228004452/53/54
Email: info@trinityenergy.co.in, Web: www.trinityenergy.co.in



RESIN CAST WOUND PRIMARY (WPL) L.T. CTs Accuracy Class 1.0 Secondary 5A					
S. No.	Primary Current (AMP)	Bus Bar Type List Price in (₹)		Stud Type List Price in (₹)	
		5 VA	10 VA	5 VA	10 VA
1	2.5 - 25	490	520	720	780
2	30 - 60	520	560	740	800
3	75 - 100	540	585	760	820

RESIN CAST RING & RECTANGULAR BAR PRIMARY (BPL) LT CTs Accuracy Class 1.0							
S. No.	Primary Current (AMP.)	Type	I.D. (mm)	List Price in (₹)			
				ACC.CL. 1.0			
				5 VA	10 VA	15 VA	15VA/5P10
1	100	Ring	30	520	750	-	-
2	150	Ring	30	460	560	-	-
3	200	Ring	35	460	495	585	2565
4	250	Ring	45	490	520	576	2430
5	300	Ring	55	430	470	540	2430
6	400	Ring	55	430	470	540	2250
7	500	Ring	55	430	470	540	1980
8	600	Ring	55	430	470	540	1980
9	800	Ring	70	500	540	576	1890
10	800	Rectangular	110*25	-	700	720	1890
11	1000	Rectangular	110*25	-	700	720	1890
12	1200	Rectangular	110*25	-	700	850	1890
13	1500	Rectangular	110*40	-	775	850	1890
14	1600	Rectangular	110*40	-	775	920	1890
15	2000	Rectangular	160*50	-	-	990	2070
16	2500	Rectangular	160*50	-	-	1080	2340
17	3000	Rectangular	165*80	-	-	1120	2430
18	3200	Rectangular	165*80	-	-	1300	2430
19	4000	Rectangular	165*80	-	-	1490	3150

POTENTIAL TRANSFORMERS Single Phase				POTENTIAL TRANSFORMERS Three Phase			
S. No.	Rating (VA)	List Price in (₹)		S.No.	Rating (VA)	List Price in (₹)	
		Tape Wound	Resin Cast			Tape Wound	Resin Cast
1	50	1250	1800	1	50	4550	5700
3	100	2400	3100	2	100	2850	6500